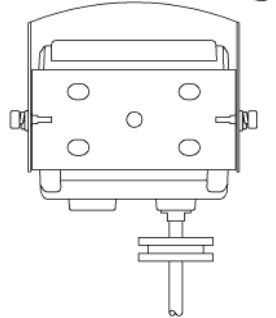
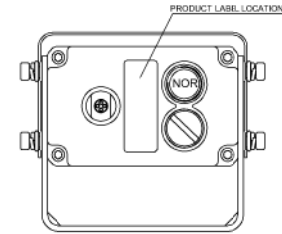
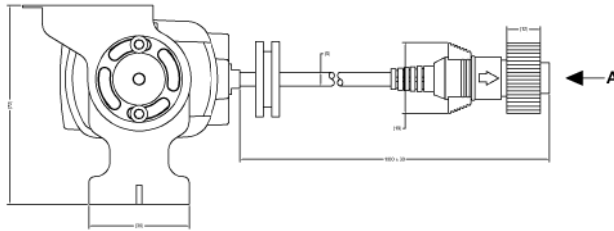
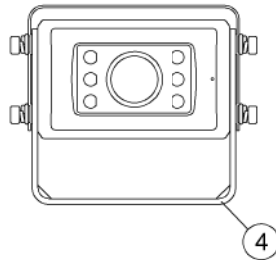
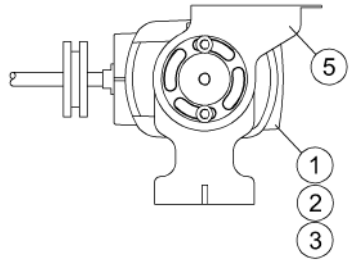
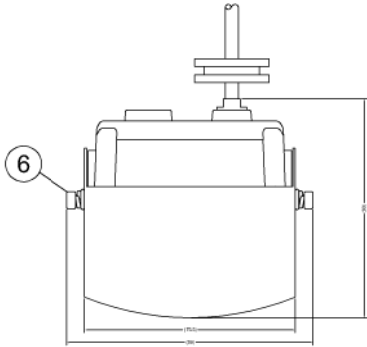


TABLE 1: BE-8XXC(NPL) CAMERA KIT OPTIONS

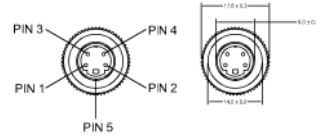
PART NO.	MODEL NO.	DESCRIPTION
5976	BE-800C(NPL)	CAMERA, ELITE, HEATED, ULTRA-LOW-LIGHT, PAL, NO BRANDING
5978	BE-850C(NPL)	CAMERA, ELITE, HEATED, ULTRA-LOW-LIGHT, PAL, 12-24VDC, NO BRANDING
5766	BE-850C(78)(NPL)	CAMERA, ELITE, HEATED, ULTRA-LOW-LIGHT, PAL, 12-24VDC, 78°, NO BRANDING

CHANGES FROM BASE PRODUCT BE-8XXC TO BE-8XXC(NPL)

- CHANGE:
- BE-8XXC-C REPLACED WITH BE-8XXC(NPL).
 - BE-8XXC GB-LBL REPLACED WITH BE-8XXC(NPL) GB-LBL.
 - BE-8XXC BE-2XXC-IG (3247B) REPLACED WITH BE-8XXC-IG(NPL) (5981).
- OPERATION:
- SAME AS BASE PRODUCT



VIEW A



4 PIN MINI DIN MALE MATING FACE

PIN #	WIRE COLOUR	DESCRIPTION
1	YELLOW	VIDEO
2	RED	+12V
3	BLUE	N.C
4	WHITE	AUDIO
5	BLACK/SHIELD	GND

Revision Notes.

R1 -	Drawn:-	Checked:-	Approved:-	Date:-
------	---------	-----------	------------	--------

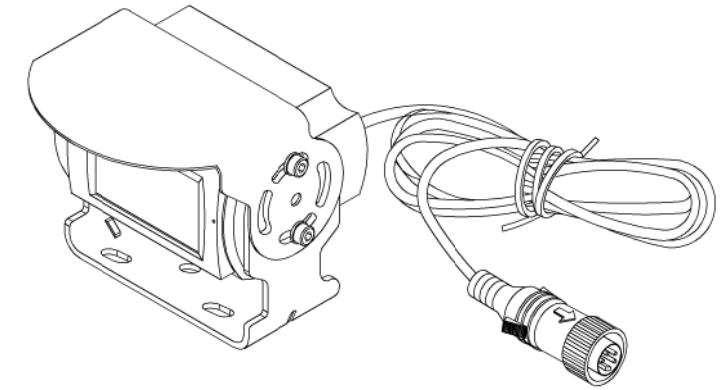


TABLE 2: CAMERA KIT CONTENTS

ITEM	①	②	③	④	⑤	⑥	⑦
PART NO.	5977	5979	5767	3244A	3245	3246	3247B
MODEL NO.	BE-800C-C(NPL)	BE-850C-C(NPL)	BE-850C-C(78)(NPL)	BE-89XC.BE-X OXC-BKT	BE-89XC.BE-XO XC-SS	BE-8/2XXC-FI X	BE-8XXC.BE-2 XXC-IG
DESCRIPTION	CAMERA, HEATED, PAL, NO BRANDING	CAMERA, HEATED, PAL, 12-24VDC, NO BRANDING	CAMERA, HEATED, PAL, 12-24VDC, 78°, NO BRANDING	BE-8XXC.BE2XXC SERIES BRACKET	BE-8XXC.BE2XXC SERIES SUNSHIELD	BE-8XXC.BE2XXC SERIES FIXING KIT	BE-8XXC.BE2XXC SERIES INSTALLATION GUIDE (NOT SHOWN)
BE-800C(NPL) QTY.	1	-	-	1	1	1	1
BE-850C(NPL) QTY.	-	1	-	-	-	-	-
BE-850C(78)(NPL) QTY.	-	-	1	-	-	-	-

- NOTES:
- REFER TO COMPONENT DRAWINGS FOR COMPONENT DETAILS.
 - FOR PRODUCT LABEL AND PACKAGING DETAILS REFER TO MASTER BOM.
 - FOR INSTALLATION DETAILS REFER TO INSTALLATION GUIDE.

PROPRIETARY NOTICE

THIS DESIGN AND TECHNICAL INFORMATION APPEARING ON THIS DRAWING IS THE PROPERTY OF BRIGADE ELECTRONICS, AND IS DISCLOSED IN CONFIDENCE. IT IS NOT TO BE COPIED, REPRODUCED, REVEALED TO OR APPROPRIATED BY OTHERS, EITHER IN WHOLE OR IN PART WITHOUT THE EXPRESS WRITTEN CONSENT OF BRIGADE ELECTRONICS.

BRIGADE®

Assembly PI Approval T. CHOI	Approved by B. CHILDS	Checked by J. TYRRELL	Drawn by A.FOSTER
Angle of Projection	Units mm	Scale N/A	Released 11/12/19
Third Angle	Status RELEASED	BE-8XXC(NPL)	
	Part No VARIES	BE-004258-00-19	